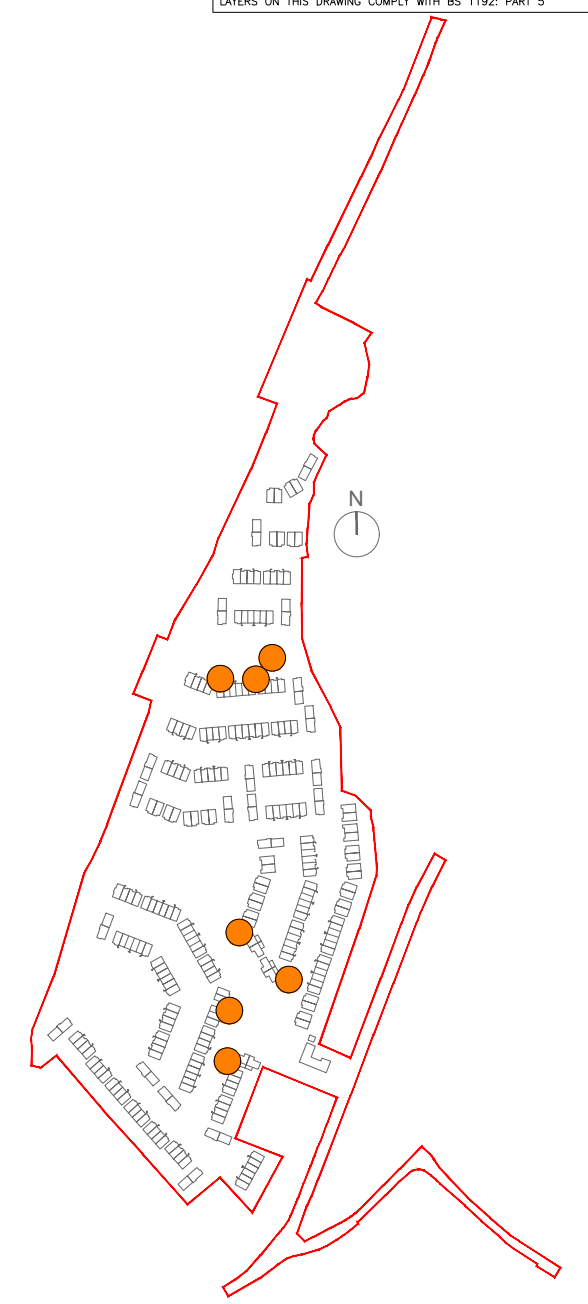
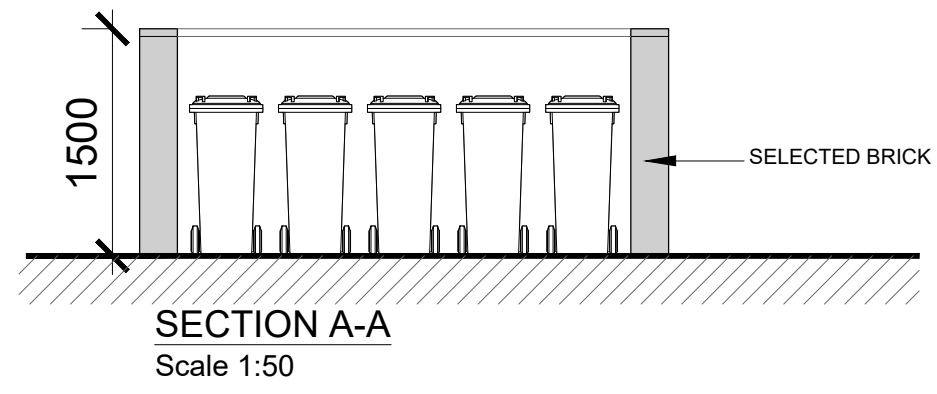
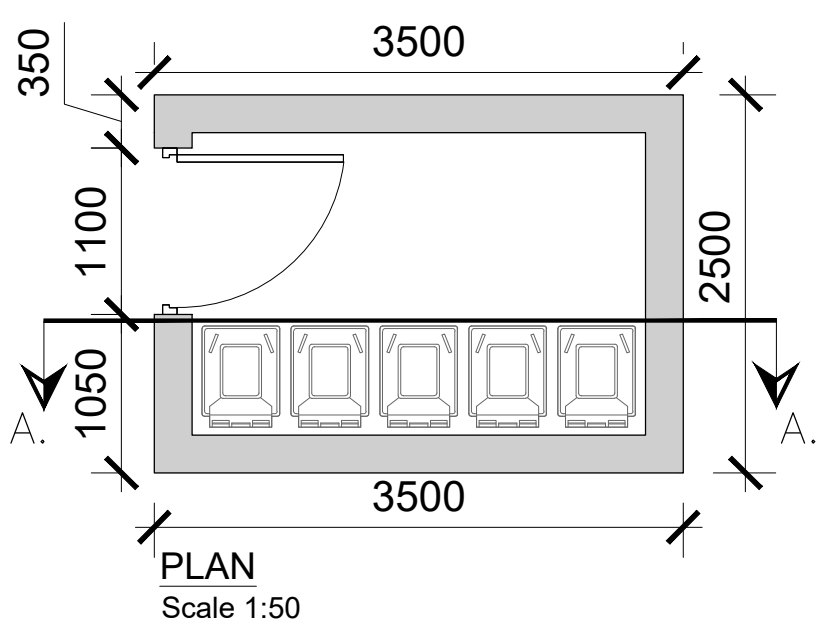
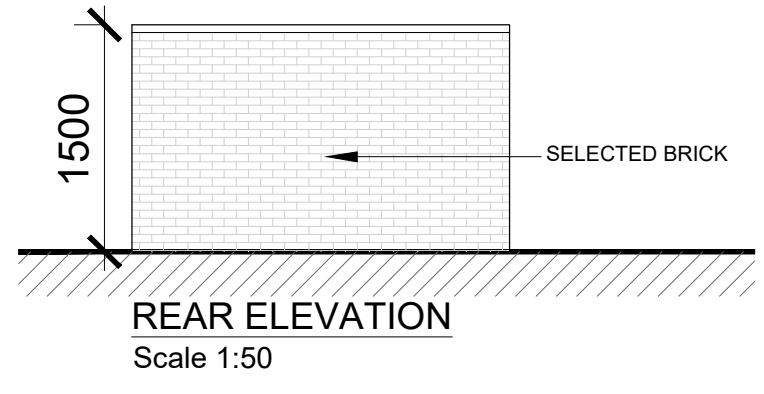
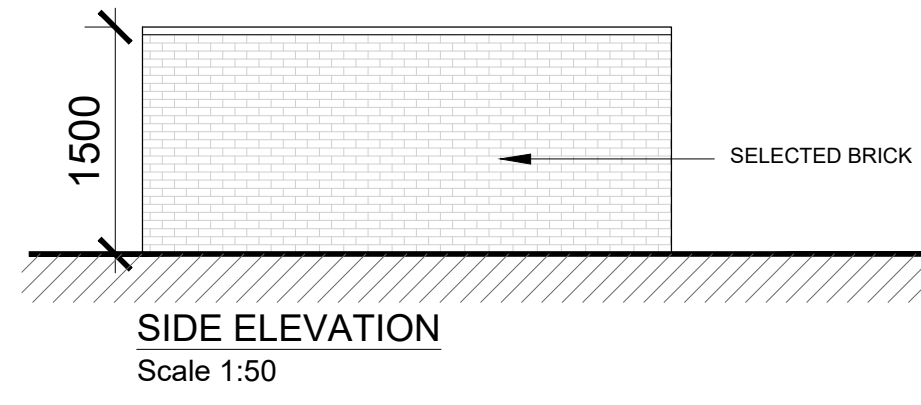
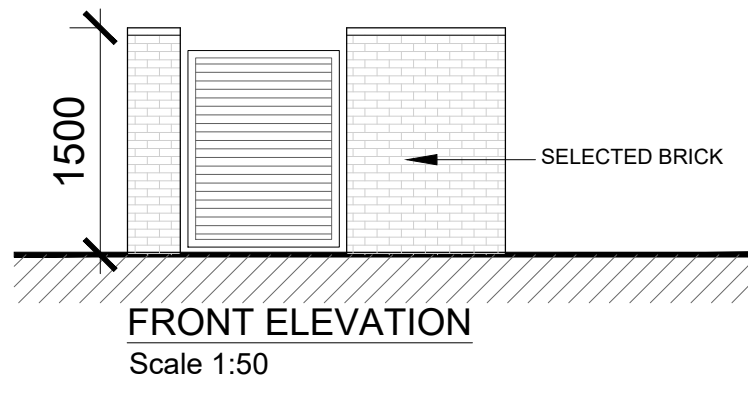
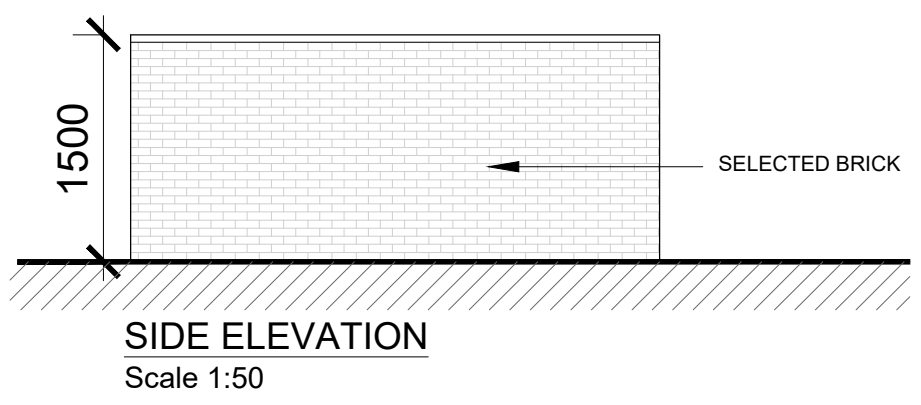


DO NOT SCALE. WORK TO FIGURED DIMENSIONS ONLY.
 ALL EXISTING DIMENSIONS TO BE CHECKED ON SITE.
 DRAWN ON AUTOCAD R2004 AT DEADY GAHAN ARCHITECTS LTD
 LAYERS ON THIS DRAWING COMPLY WITH BS 1192: PART 5

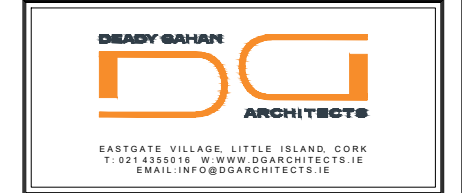


KEY PLAN (● 7no. TYPE A BIN STORES)
 NTS @ A3

PROPOSED BIN STORE TYPE A
 SCALE 1:50 @ A3

NOTE: POSITION OF NORTH POINT & LEVELS VARY.
 SEE SITE PLAN FOR ORIENTATION - DWG NO. 21112/P/003

date	rev	name	chk	note
27.07.22	P1	MP	EJG	ISSUE FOR PLANNING



Project
 PROPOSED RESIDENTIAL DEVELOPMENT
 AT BALLYMACAULA, DRUMBIGGLE, CIRCULAR ROAD,
 ENNIS, CO. CLARE.

Drawing title			
PROPOSED TYPICAL BIN STORE			
TYPE A			
Scale 1:50 @A3	Drawn MP	Checked EJG	Date 27.07.22
Project No. 21112	Drig. No. 21112/P/013A	Revision P1	
<input type="checkbox"/> Information \ Comments			<input type="checkbox"/> Tender
<input checked="" type="checkbox"/> Planning			<input type="checkbox"/> Construction